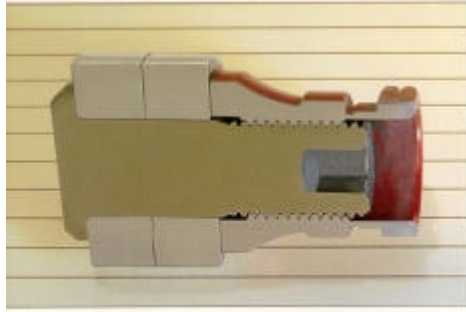
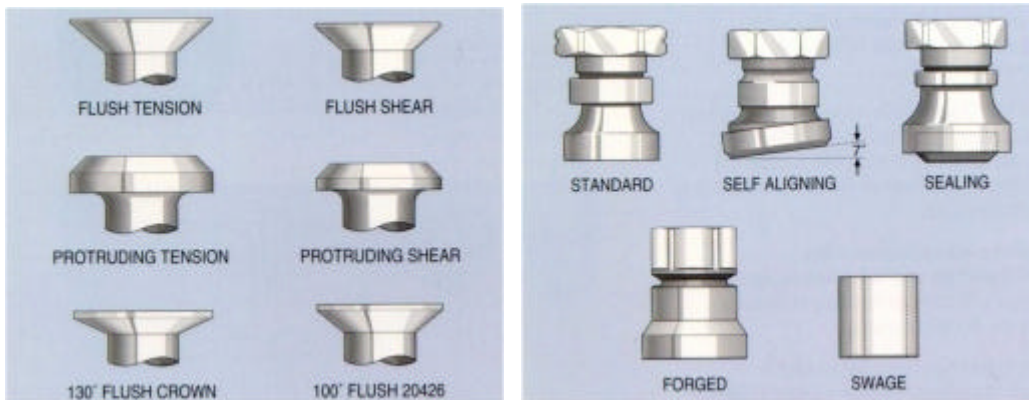


## Hi-Lok Fastening System (HL)



### The Industry Standard for High Strength, Permanently Installed Airframe Fasteners...

- Available in a variety of head styles and diameters from 5/32" through 1"
- Built-in preload control
- One side installation
- Excellent for restricted access applications



Hi-Lok fasteners are available in a wide variety of head geometries and collar styles.

## Pins

### Materials/

#### Shear Strengths

Titanium 6Al-4V / 95KSI  
 Inconel 718 / 108,125KSI  
 A-286 / 95KSI  
 7075 Aluminum/ 45KSI  
 Alloy Steel / 108,125KSI

### Head Styles

100° Flush Shear  
 130° Flush Shear  
 Protruding Shear  
 100° Flush Tension  
 Protruding Tension

### Finishes

Hi-Kote 1,2,4  
 Cadmium Plate  
 IVD Aluminum  
 Anodize (Ti, Al)  
 Cetyl Alcohol Lube

# Collars

## Materials

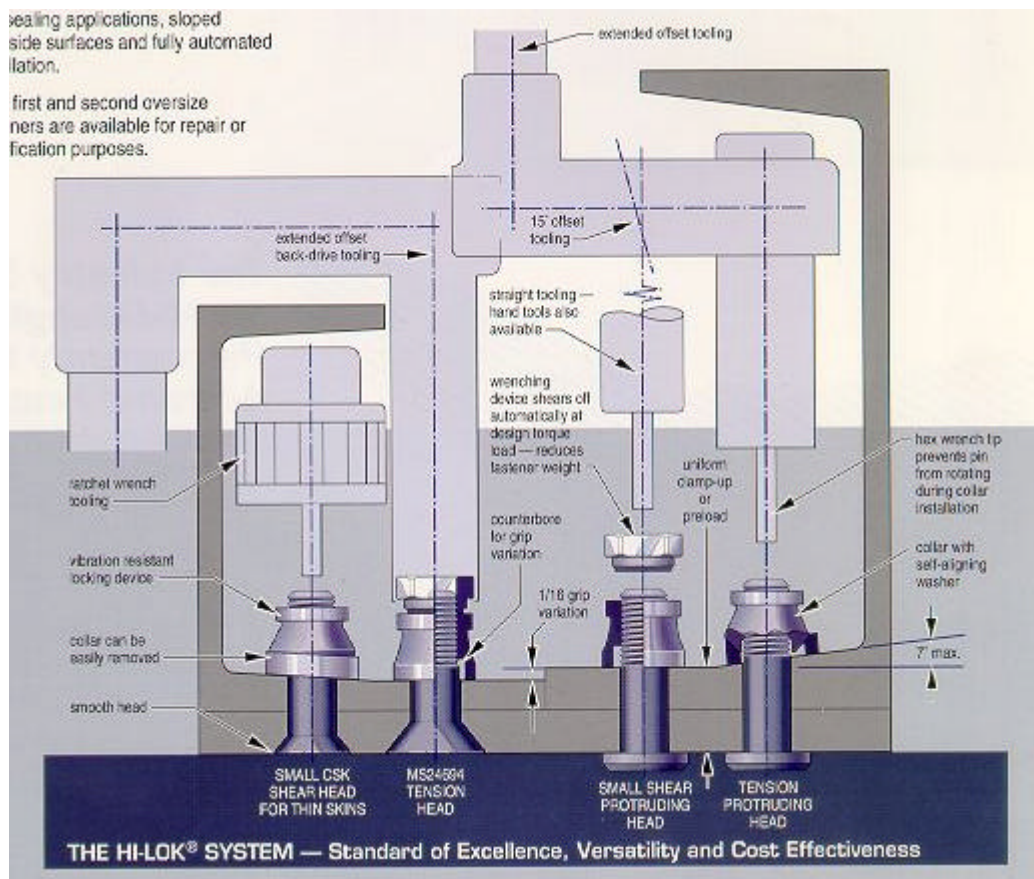
Titanium 3Al-2.5V  
2024 Aluminum  
Alloy Steel  
300 Series Stainless

## Collar Styles

Standard  
Oversize  
Self-Aligning  
Sealing  
Swage

## Finishes

Hi-Kote 2, Solid Film Lube  
Cadmium Plate  
Anodize  
Cetyl Alcohol Lube



Hi-Shear produces a wide variety of [installation tooling](#) to install Hi-Lok fasteners in almost any location.